

# Instructions



## Rackmount Kit DPO7000 Series

**075-0904-00**

### **Warning**

The servicing instructions are for use by qualified personnel only. To avoid personal injury, do not perform any servicing unless you are qualified to do so. Refer to all safety summaries prior to performing service.

**[www.tektronix.com](http://www.tektronix.com)**



075090400

Copyright © Tektronix, Inc. All rights reserved. Licensed software products are owned by Tektronix or its subsidiaries or suppliers, and are protected by national copyright laws and international treaty provisions.

Tektronix products are covered by U.S. and foreign patents, issued and pending. Information in this publication supercedes that in all previously published material. Specifications and price change privileges reserved.

TEKTRONIX and TEK are registered trademarks of Tektronix, Inc.

## **Contacting Tektronix**

Tektronix, Inc.  
14200 SW Karl Braun Drive  
P.O. Box 500  
Beaverton, OR 97077  
USA

For product information, sales, service, and technical support:

- In North America, call 1-800-833-9200.
- Worldwide, visit [www.tektronix.com](http://www.tektronix.com) to find contacts in your area.

# Service Safety Summary

Only qualified personnel should perform service procedures. Read this *Service Safety Summary* and the *General Safety Summary* before performing any service procedures.

**Do Not Service Alone.** Do not perform internal service or adjustments of this product unless another person capable of rendering first aid and resuscitation is present.

**Disconnect Power.** To avoid electric shock, switch off the instrument power, then disconnect the power cord from the mains power.

**Use Care When Servicing With Power On.** Dangerous voltages or currents may exist in this product. Disconnect power, remove battery (if applicable), and disconnect test leads before removing protective panels, soldering, or replacing components.

To avoid electric shock, do not touch exposed connections.



# Kit Description

This document supports Tektronix DPO7000 Series instruments.

The rackmount kit is a collection of parts that, once installed, configure the instrument for mounting into a standard 19-inch equipment rack.

## Products

DPO7000 Series

All

## Minimum Tool and Equipment List

Required tools and equipment	Part number
Screw Driver, Phillips, #2	Standard tool
T-15 Torx tip	Torx-driver tip for T-15 size screw heads
Screwdriver handle (magnetic)	Accepts 1/4 inch hex-head driver tips

## Kit Parts List

Circuit/figure number	Quantity	Part number	Description
	1 ea.	016-1965-xx	Rackmount kit consisting of the following:
	1 ea.	-----	Rackmount kit
	1 ea.	075-0904-00	Technical manual, instructions
	2 ea.	-----	Rack, Trimplate

## Warranted Characteristics

When the instrument is installed according to the instructions in this document, the rackmounted instrument meets all warranted requirements listed in the instrument specification except for those listed in Environmental Requirements on page 4. Instruments mounted using methods other than those described in these instructions may cause the instrument to not meet its warranted requirements.

See Specification in the specification and performance verification manual that applies to your instrument model for tables of the warranted characteristics.

Cooling air enters on the bottom as shown in Figure 1. You assume the responsibility to provide adequate cool air to meet the ambient temperature requirements listed in the specifications.

## Environmental Requirements

The following environmental characteristics supercede those listed in the user or service manual for your instrument.

**Table 1: Warranted characteristics**

Characteristic	Description
Temperature, Inside Rack Cabinet	
Operating	+10 °C to +45 °C
Non-operating	-22 °C to +60 °C
Vibration	
Operating	0.24 g rms, from 5 to 500 Hz, 10 minutes each axis
Non-operating	2.22 g rms, from 5 to 500 Hz, 10 minutes each axis
Shock	
Operating and Non-operating	20 g, 11 ms, half sine, each axis, 3 drops each

## Clearance Requirements

The rack in which the rack adapted instrument is mounted must provide the following clearance requirements:

- A minimum of 310.1 mm (12.21 in) of vertical space.
- A minimum width of 464.8 mm (18.3 in) between the left- and right-front rails in the rack.
- A minimum inside height depth of at least 711.2 mm (28 in).



**WARNING.** Adhering to these clearance requirements mounts the rack-adapted instrument with sufficient clearance for air circulation and accommodation of the power cord and mounting hardware. Failure to provide these clearances can result in overheating and can cause the instrument to not operate properly and/or fail.

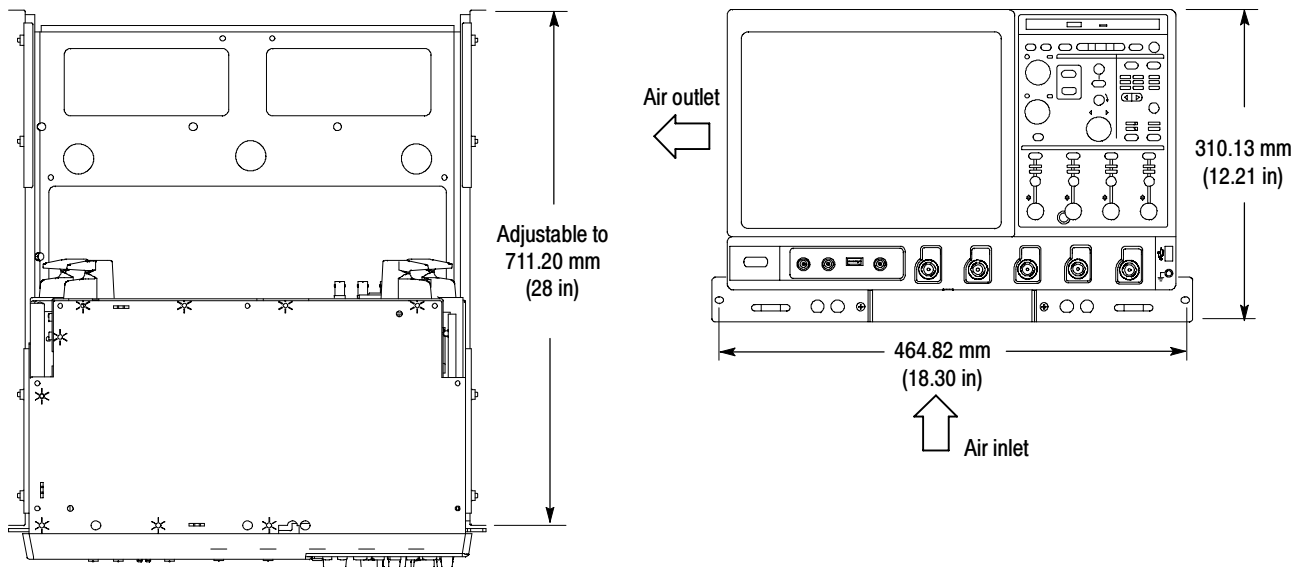


Figure 1: Clearance requirements



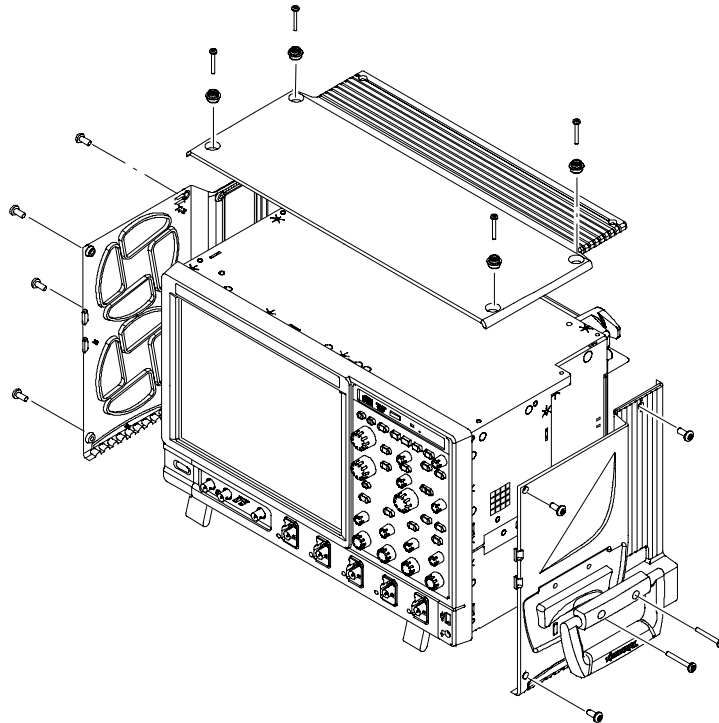


# Installation Instructions

These instructions are for qualified service personnel who are familiar with servicing the product. If you need further details for disassembling or reassembling the product, refer to the appropriate product manual. Contact your nearest Tektronix, Inc., Service Center or Tektronix Factory Service for installation assistance.

## Remove

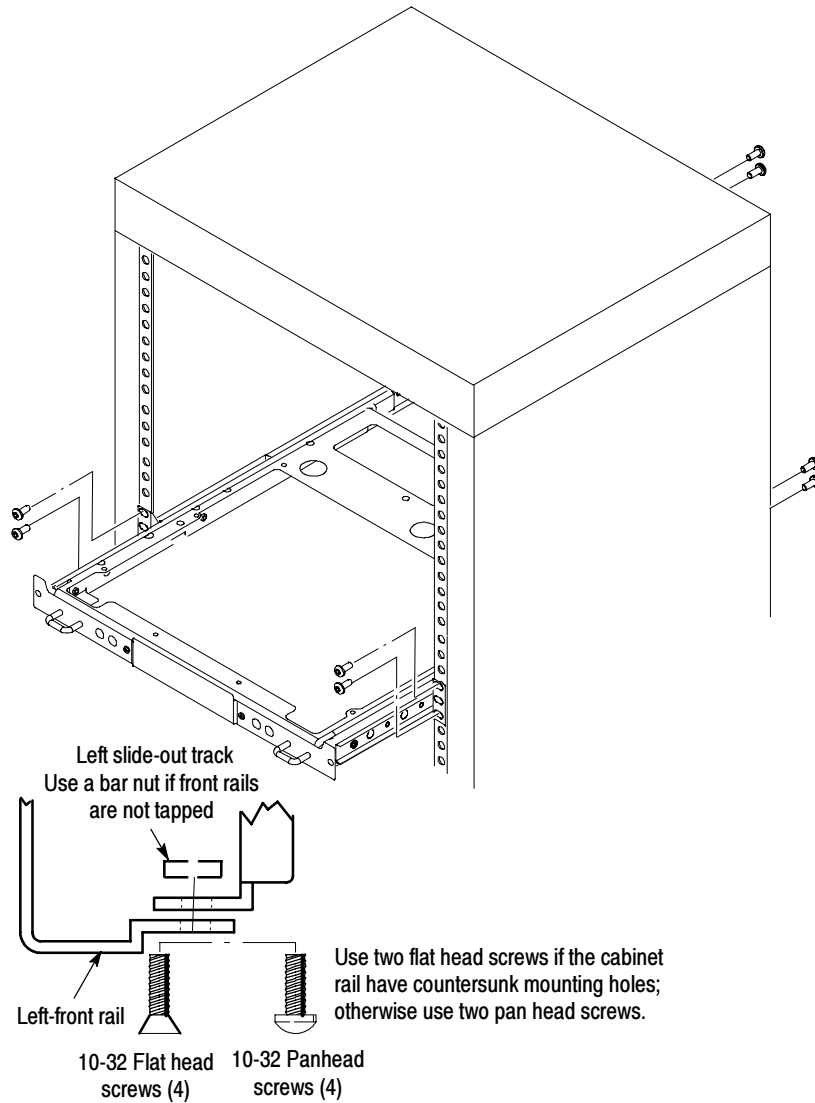
Remove the handle, top, left and right side plastic trim as shown in Figure 2.



**Figure 2: Remove trim**

## Install

Install the rack platform in your equipment rack as shown in Figure 3.



**Figure 3: Installation of rack plate assembly in rack (top view)**

## Reassemble

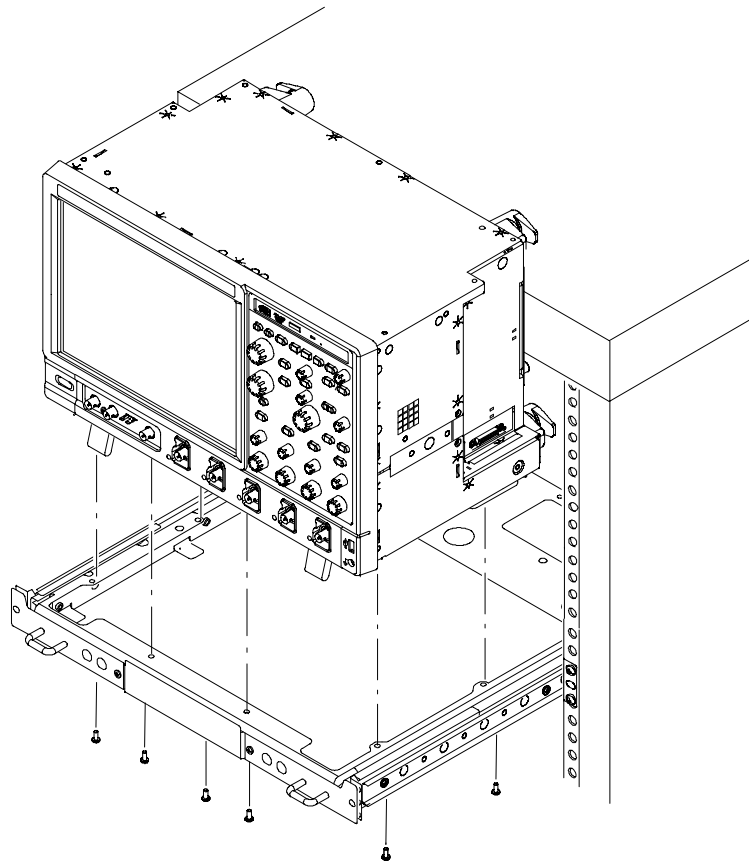
Install your instrument on the rack plate as shown in Figure 4.

Install the power cord. Provide access to a power plug or mains disconnect switch.

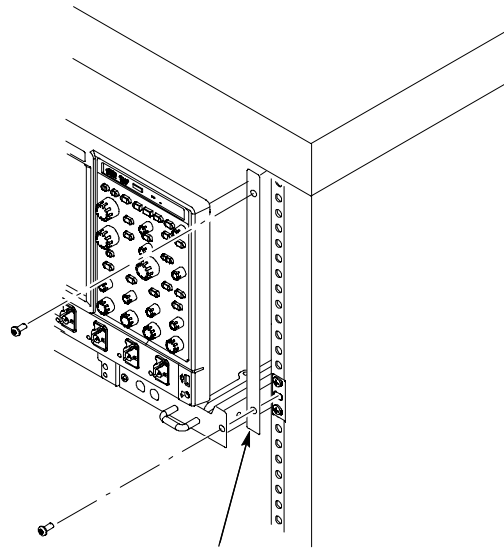
Optionally install any cables you need connected to the instrument rear or side panels.

Slide the instrument into the equipment rack.

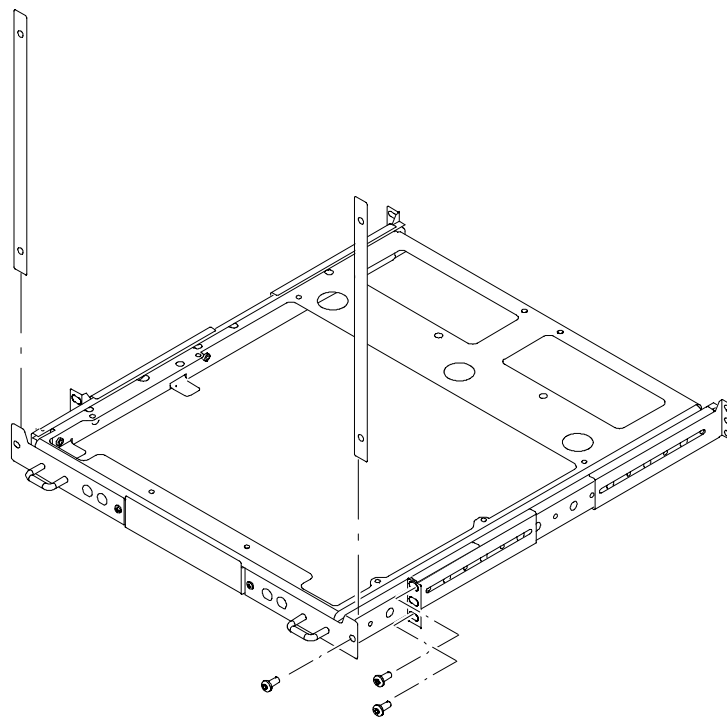
Install the trim plates as shown in Figure 5.



**Figure 4: Installing the instrument on the rack plate**



One trim plate can be attached to each side of the instrument as shown.



**Figure 5: Installation of Trim Plate**

■ End of document ■